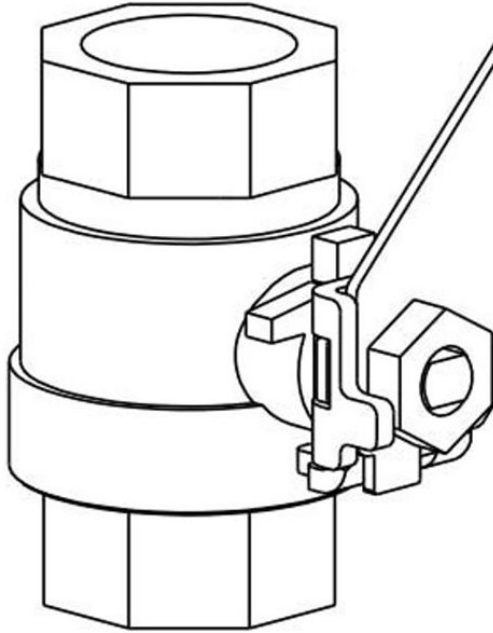


---

## Replacement Safety Shower Ball Valve



Product Code: AP-S-7102-400-003

1" safety shower replacement ball valve.

### Delivery

From stock 1 to 2 working days delivery time.

### What is ANSI compliance?

The ANSI (or [American National Standards Institute](https://www.ansi.org/)) is a nonprofit organisation that administers standards for products, processes and systems in the United States and around the world.

With regards to safety eye washing, the ANSI sets standards for water temperature and flow rate, as well as location and maintenance requirements. Our safety wall mounted eye washing pods conform to ANSI Z358.1-2014.

**\*\*All pictures shown are for illustration purpose only and may be subject to change without notice. Actual product may vary due to product enhancement. All dimensions shown are for guidance only and may be subject to change or alteration without notice. All items manufactured or purchased separately from a third party to fit our products should be checked against the actual dimensions of the physical product before purchase. We will not be liable for third party costs and consequential loss associated with the items not fitting third party components.\*\***