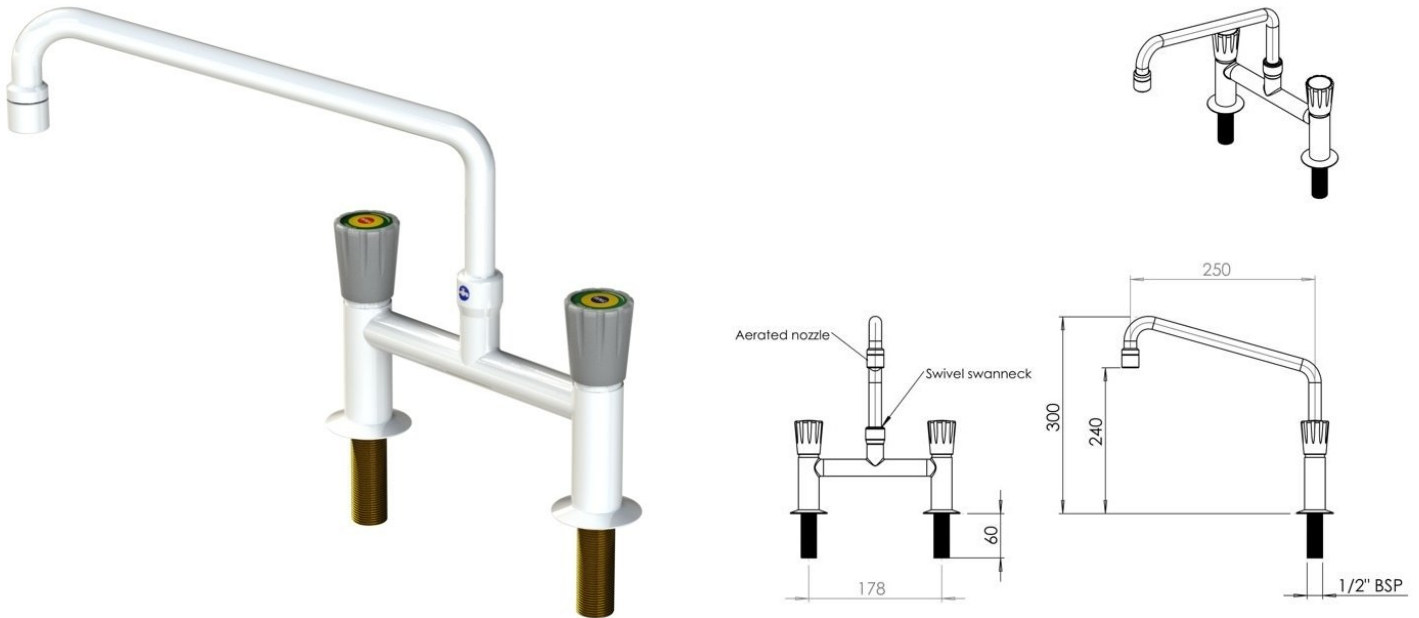


## H Pattern Laboratory Tap



Product Code: ARB-HLBTAP

H-Pattern laboratory tap with a swivel swan neck and aerator to minimize splash back. Designed for balanced hot and cold water mixing. This tap is perfect for a school art room.

It features an all brass body, coated in Ral 9016 white Rilsan plastic and comes with grey rotating handwheels.

### Delivery

From stock usually 3 to 5 working days

### Tech Spec

2 x 1/2" BSP male flat ended shank x 60mm long with back nut  
 2 x 22mm tap holes and 178mm centres  
 Maximum pressure: 100PSI (Recommended 20PSI)  
 Flow rate: 20PSI = 35 Liter/min  
 All brass body, coated in Rilsan plastic  
 WRAS Approved  
 Standard laboratory tap for all applications where a header tank supply is present

\*\*All pictures shown are for illustration purpose only and may be subject to change without notice. Actual product may vary due to product enhancement.  
 All dimensions shown are for guidance only and may be subject to change or alteration without notice. All items manufactured or purchased separately from a third party to fit our products should be checked against the actual dimensions of the physical product before purchase. We will not be liable for third party costs and consequential loss associated with the items not fitting third party components.\*\*